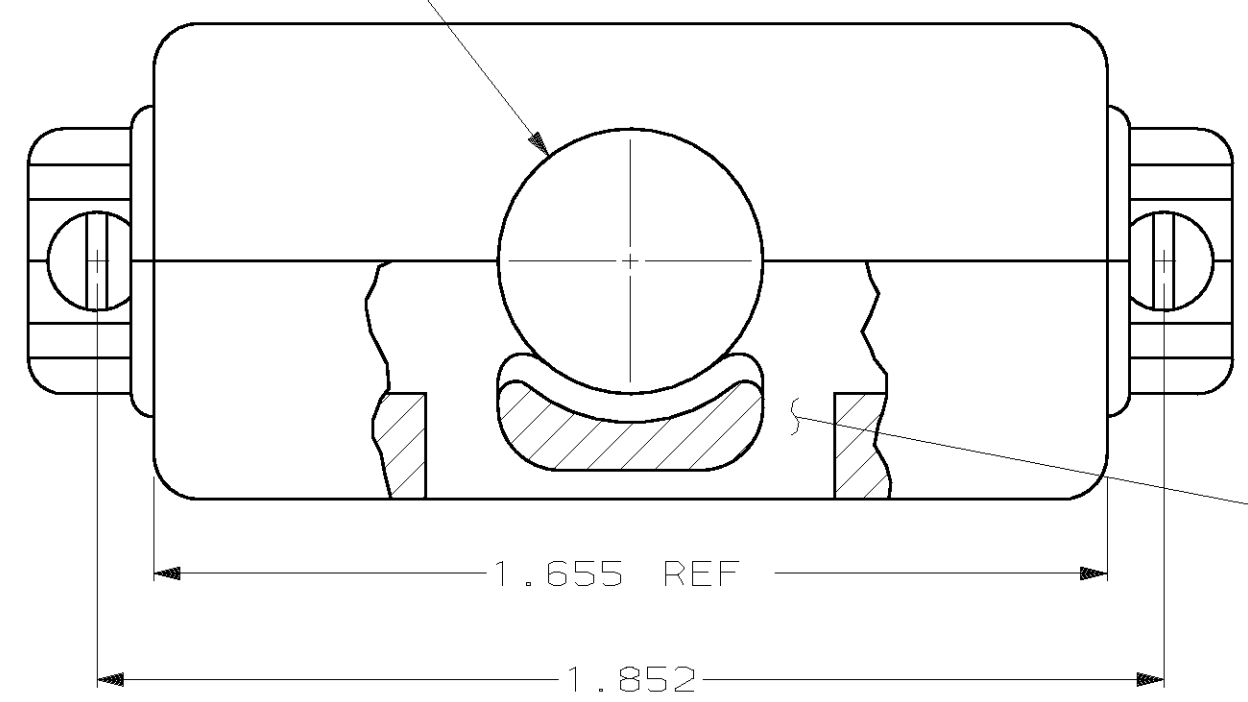


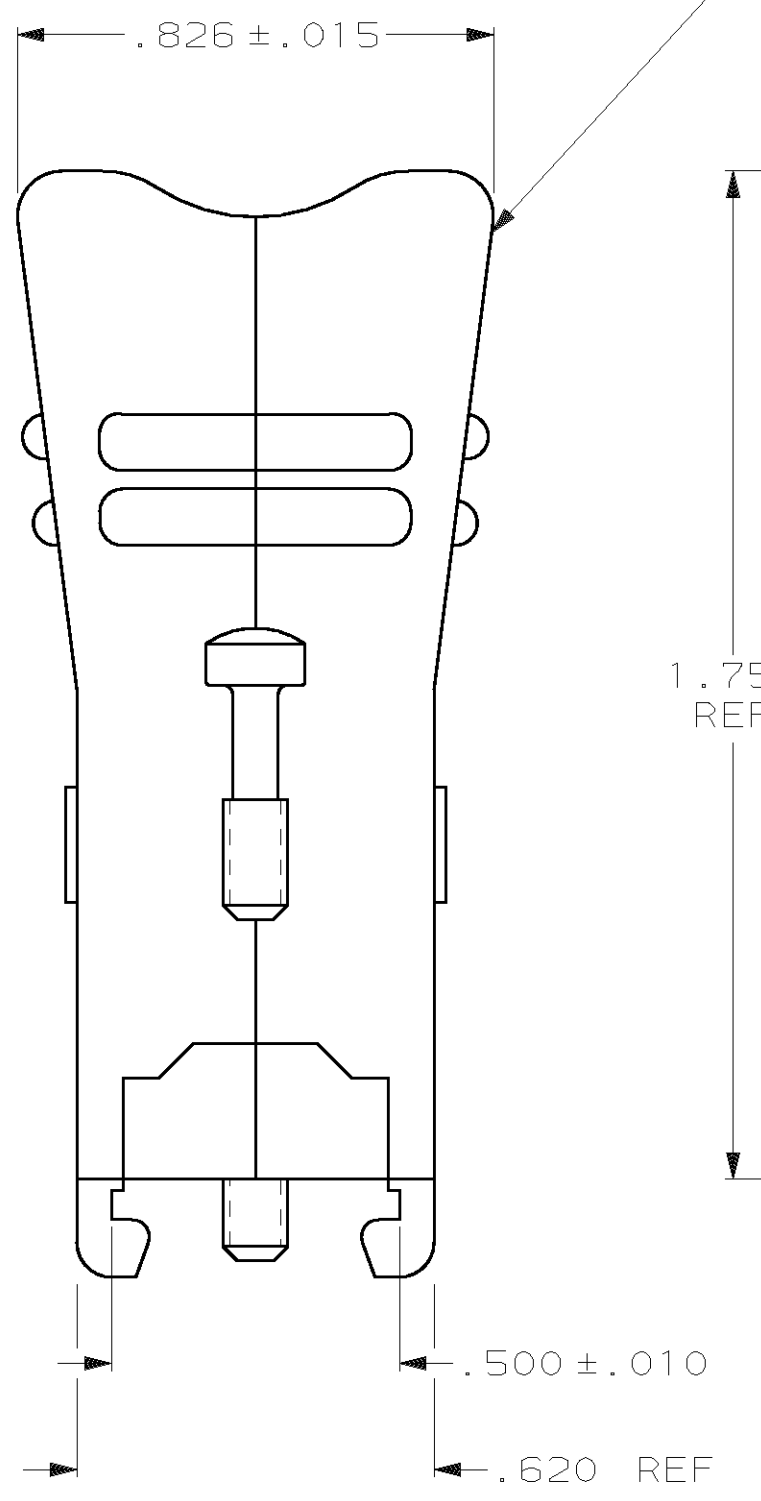
THIS DRAWING IS UNPUBLISHED. RELEASED FOR PUBLICATION ,19 .  
 © COPYRIGHT 19 BY AMP INCORPORATED. ALL INTERNATIONAL RIGHTS RESERVED.

REVISIONS									
MOD	LOC	DIST	P	F	ZONE	LTR	DESCRIPTION	DATE	APPD
-	GP	00					F REV PER EC 001D-0247-00	16 JAN 02	JR

.335 MAX DIA  
CABLE OPENING



TWO PIECE CABLE  
SUPPORT HOUSING.  
MATERIAL: THERMOPLASTIC



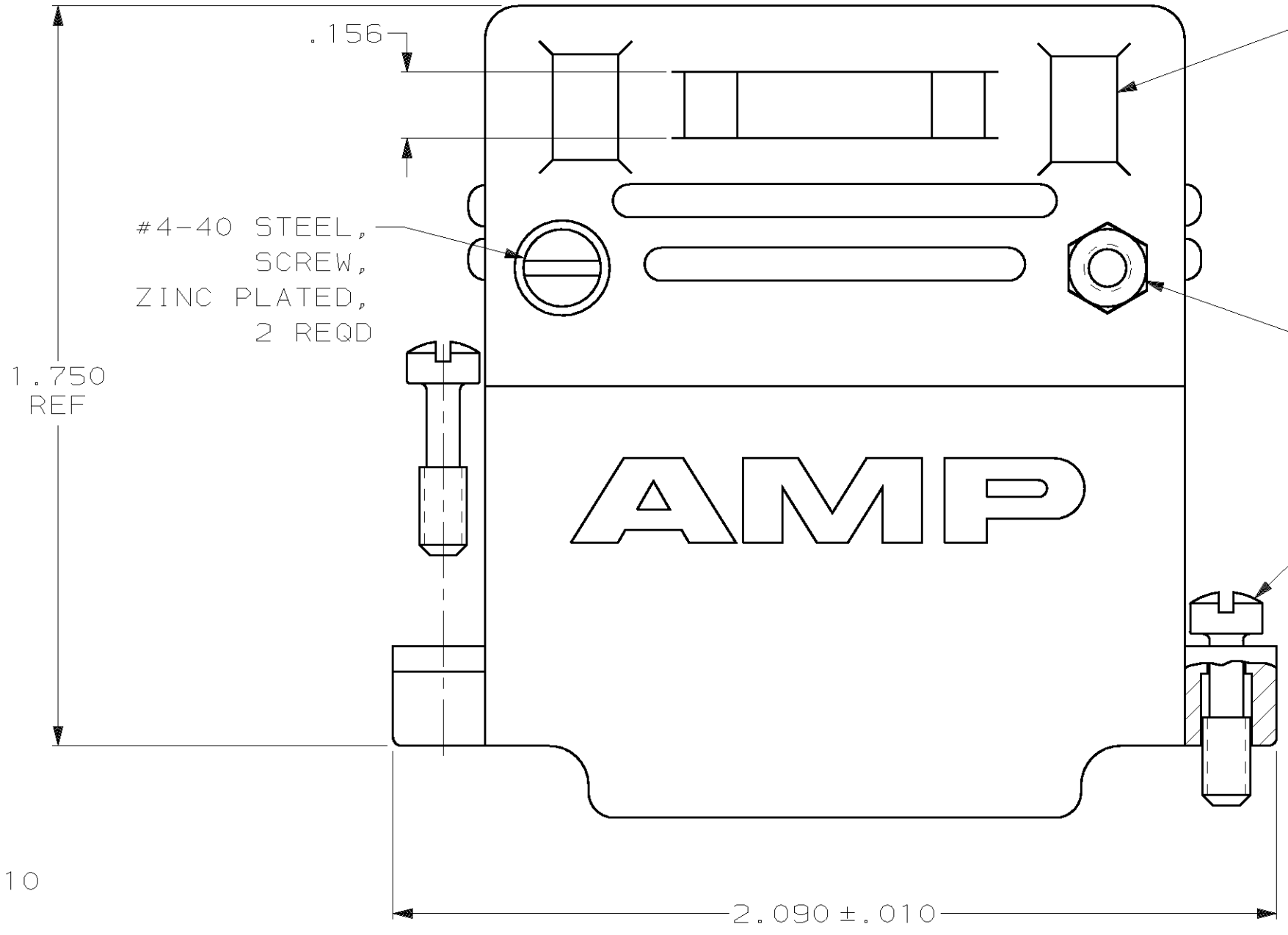
INTERNAL CABLE  
TIE OPENINGS

EXTERNAL CABLE  
TIE OPENINGS

#4-40 STEEL,  
SCREW,  
ZINC PLATED,  
2 REQD

#4-40 HEX NUT, STEEL,  
ZINC PLATED

#4-40 CRS SCREW,  
ZINC PLATED, 2 REQD



OBSOLETE	BULK PACKAGED	206472-2
	1 KIT PER POLY BAG	206472-1
	PACKAGING	PART NUMBER

- THIS PART WILL FIT ANY STANDARD SIZE 3 PLUG OR RECEPTACLE IN THE AMPLIMITE SERIES.
- ALL PARTS ARE PACKAGED UNASSEMBLED.

DO NOT SCALE PRINT. UNLESS SPECIFIED DIMENSIONS IN INCHES TOLERANCES ON : 2 PLC DEC ± - 3 PLC DEC ± .005 ANGLES ± -	DR 5-8-90 J GALLUCCI BG	AMP INCORPORATED Harrisburg, Pa. 17105		
	CHK -			NAME
MATERIAL	APPD -	CABLE CLAMP ASSEMBLY, 180° SIZE 3, 25 POSITION, AMPLIMITE		
SEE CALLOUT	APPD -			
FINISH	PRODUCT SPEC	SIZE	FSCM NO	DRAWING NO
SEE CALLOUT	-	C	00779	206472
	APPLICATION SPEC	SCALE	3:1	SHEET
	WEIGHT -			1 OF 1